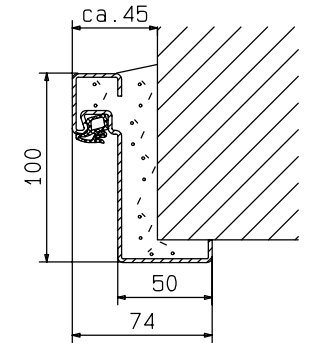
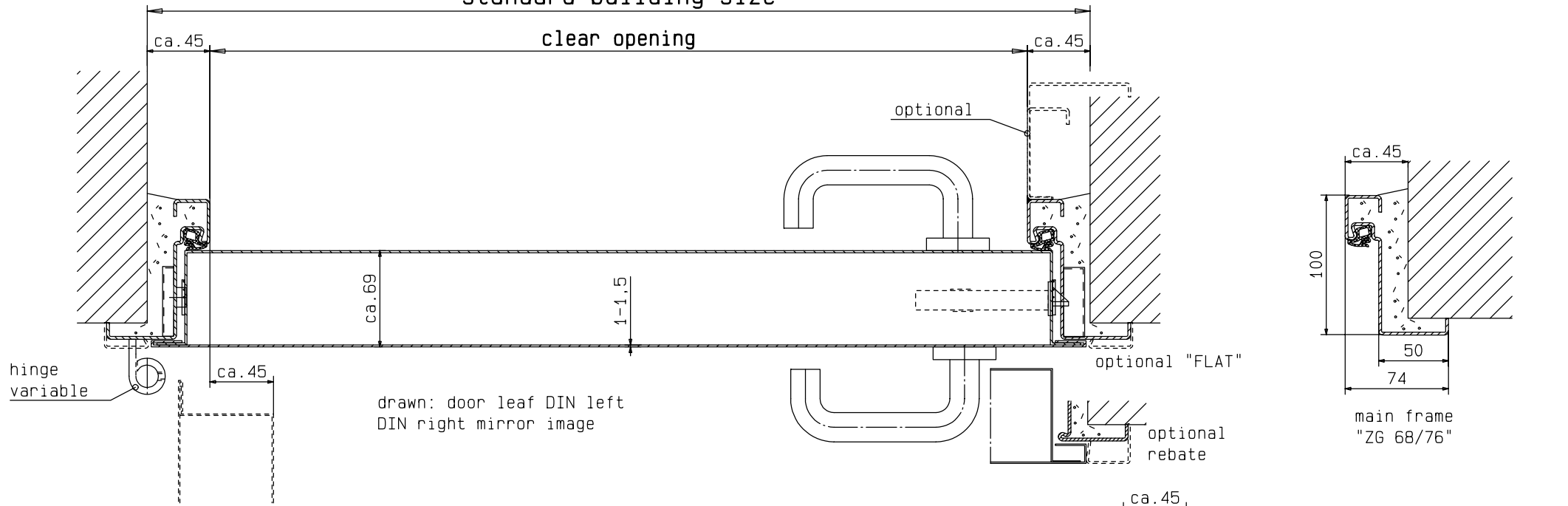
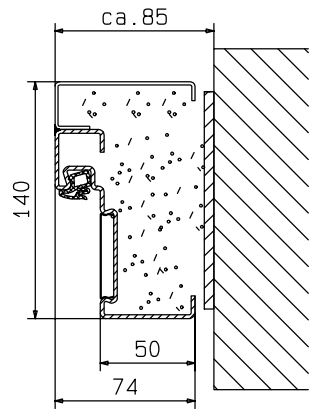


standard building size

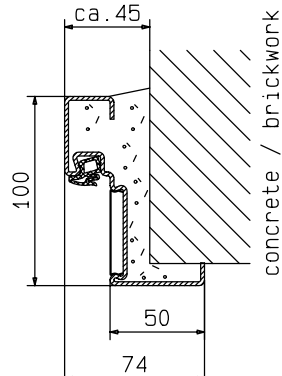
clear opening



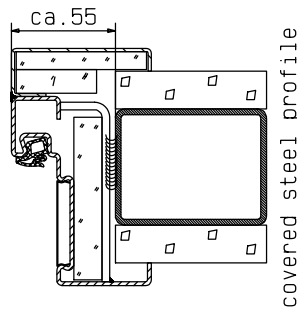
main frame "ZG 68/76"



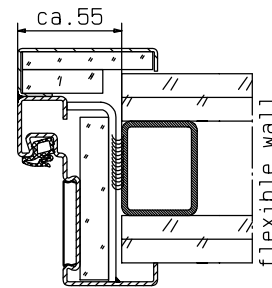
frame "ZNG 68/76", optional



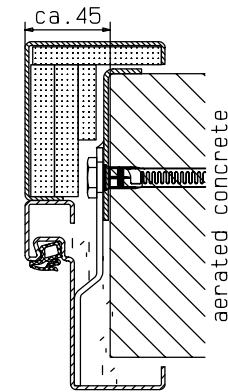
frame "ZNG 58/76", optional



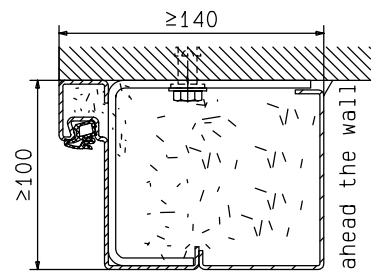
covered steel profile



flexible wall



aerated concrete



ahead the wall

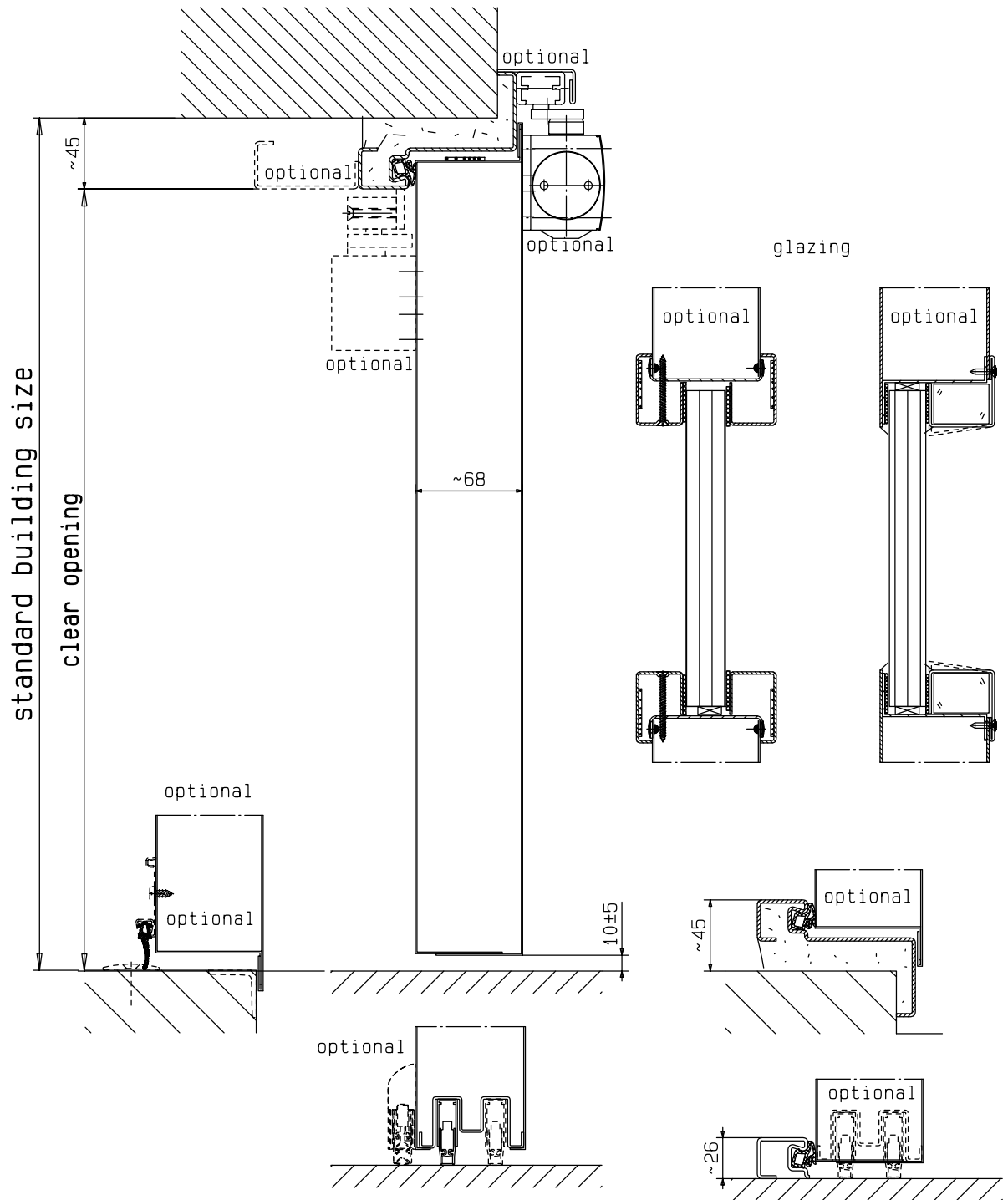
detail of glazing
see vertical cross-section

01.07.2020

System Schröders
Innovation Tür und Tor

Gerhard-Welter-Straße 7; D-41812 Erkelenz

single leaf steel fire door
EI₂60/E60/EW60-(Sa/S₂₀₀)
"System Schröders EIS-1"
horizontal cross-section



details of fitting or frame
see at horizontal cross-section

System Schröders
Innovation Tür und Tor

Gerhard-Welter-Straße 7; D-41812 Erkelenz

single leaf steel fire door
EI260/E60/EW60-(Sa/S200)
"System Schröders EIS-1"
vertical cross-section